

10 Bit SDI to Analog Video Converter

Description

The C DA 3010 is a high quality 10 bit video D/A converter designed primarily for broadcast and professional applications. The Module accepts one serial digital input and can be configured to provide the following analog outputs; RGB/YUV plus one CVBS and S-Video out or RGB/YUV plus 3 x CVBS out, or 3 x CVBS and 3 x Black Burst reference out. Dual standard operation. Two relocked SDI outputs are also provided. The module has

a built in micro-controller with local controls, status and alarm indicators and well as internal flash ram for storing setups. Remote control and status monitoring is possible when used with a controller option and LYNX control software.

Key Features

High quality 10 Bit conversion

4 x over sampling (54MHz)

Component RGB or YUV outputs.

S-Video and composite outputs, or three composite outputs.

Reference outputs in place of component analog outputs (if required)

Dual standard operation

Internal color bars

10 bit proc amp for Gain, Saturation, Hue and Pedestal adjustments.

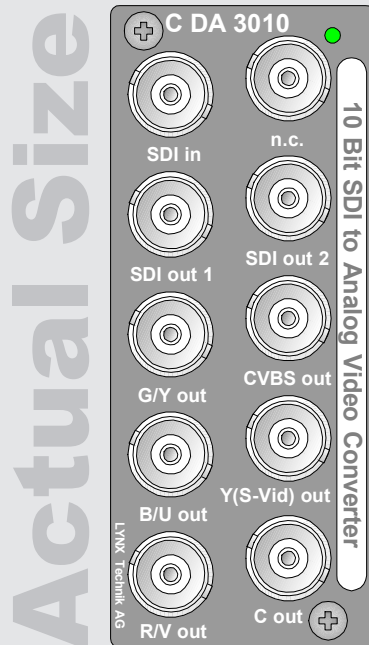
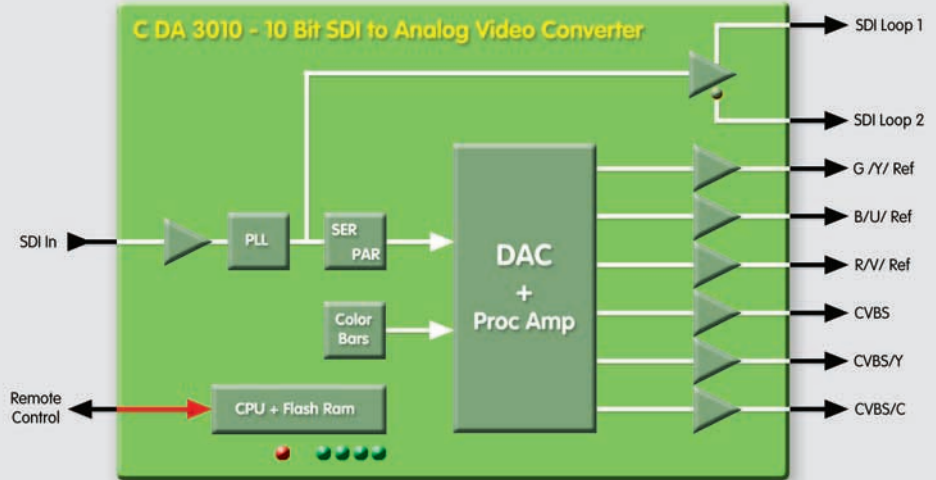
2 x relocked SDI outputs

Local DIP-switches and LED's for control and status monitoring.

Microprocessor controlled.

Internal flash ram for storing module settings

Remote control interface.



Actual Size

conversion

CONVERSION



10 Bit SDI to Analog Video Converter

This module is part of the 3000 series of MiniModules, which offer high quality and flexibility in a very small form factor ideal for applications where space is at a premium. The modules can be used either stand alone using the optional power supply brick or

as part of a tightly integrated space saving system where up to 10 MiniModules can be mounted using the optional R FR 3005 rack frame, with optional expansion for redundant power and remote control using one of the LYNX controllers and control software.

Specifications

INPUTS

SDI Video	Serial Digital Video. SMPTE 259M-C
Input Impedance	75 Ohms
Connection	BNC
Cable length	250m Belden 8281 (270Mbit/s)
Return Loss	> 15dB (270MHz)

Outputs (Digital)

SDI Outputs	2 Reclocked Serial Digital Video. SMPTE 259M-C
Output Impedance	75 Ohms, BNC connection
Return Loss	> 15dB (270MHz)
Output Level	0.8v p-p (nominal)
Jitter	< 0.2ui

Outputs (Analog)

Analog Outputs	75 Ohm BNC connection
Return Loss	> 35dB (5,75MHz)
Signal to Noise	< -65dB (analog output stage with input black)

Operating Modes

Outputs (selectable)	RGB/YUV + S-Video + CVBS or RGB/YUV + 3 x CVBS or 3 x CVBS + 3 x Black Burst reference or S-Video + CVBS + 3 x Black Burst reference
TV Standard	NTSC or PAL (auto detect input standard)
Test	Internal Color Bars (NTSC or PAL Bars selectable with no input signal present)
Sync	Sync on RGB

Performance

Control	Local settings (dip switch)
Status Monitoring	Signal presence detection

Electrical Specifications

Operating Voltage	+ 5VDC
Power Consumption	5 VA
Connection	DC input via 5 pin locking bayonet connector
Safety	IEC 950/ EN 60950/VDE 0805

Mechanical

Size	85.5mm x 35.3mm x 38,7mm + connectors
Weight	250g

Ambient

Temperature	5°C to 35°C Maintaining specifications-20°C to +70°C Storage
Humidity	Max 80% non condensing

Options

Power Supply Options

R PS 3001 E	External power brick - wall plug style. (Europe)
R PS 3001 U	External power brick - wall plug style (USA)
R PS 3001-3	In-line power supply - suitable for all regions
R PS 3004	In-line supply for 4 MiniModules - suitable for all regions

Mounting Solutions

R FR 3000	Wall mounting brackets for individual MiniModules (5 sets)
R FR 3004	Wall mount for 4 MiniModules
R FR 3005	19" rear rack mount plate for 10 MiniModules
R FR 3010	Central power supply and control chassis
R PS 5010	Redundant power supply for R FR 3010

Adapter Cables

R PS C 15	DC power and control extension cable (1.5m)
R PS C 25	DC Power and control extension cable (2.5m)

Controllers

R CT 3000	Service Adapter and control software for single modules
R CT 5020	Rack Controller and control software
R CT 5010	Rack Bus Expander
R CT 5030	Master Controller

Note.

Local dip switches allow for basic set up and configuration, which is suitable for most applications. Access to extended feature set s requires the use of a controller option or the RCT 3000 Service Adaptor and control software.